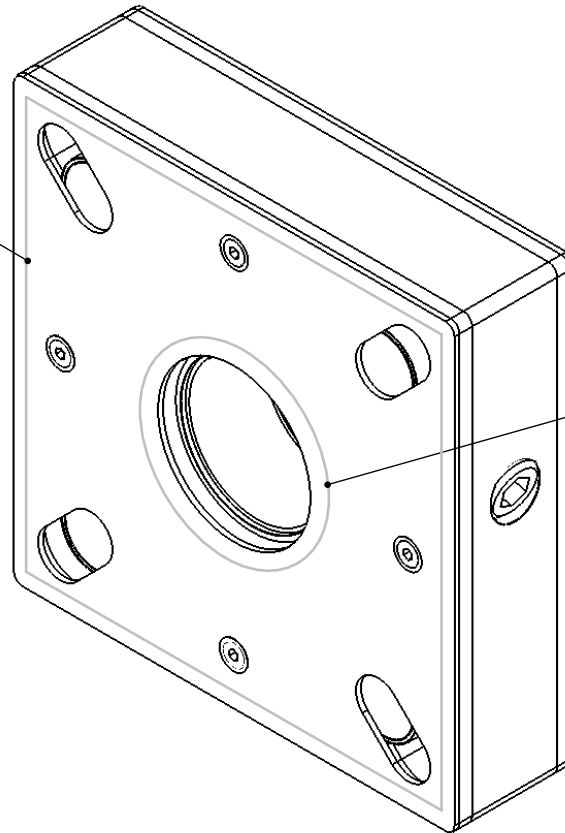


First Location  
For Sealant Placement

Please put small bead  
of silicone sealant in these  
two areas when installing seal.

Please note: This is for sealing  
End plate of seal to end plate  
of Machine



Second Location  
For Sealant Placement

**PROPRIETARY AND CONFIDENTIAL**  
THE INFORMATION CONTAINED IN THIS  
DRAWING IS THE SOLE PROPERTY OF  
AGD PRODUCTS, INC. ANY  
REPRODUCTION IN PART OR AS A WHOLE  
WITHOUT THE WRITTEN PERMISSION OF  
AGD PRODUCTS, INC. IS PROHIBITED.

		UNLESS OTHERWISE SPECIFIED:	NAME	DATE	
		DIMENSIONS ARE IN INCHES TOLERANCES: FRACTIONAL ± ANGULAR: MACH ± BEND ± TWO PLACE DECIMAL ± THREE PLACE DECIMAL ±	DRAWN		
		INTERPRET GEOMETRIC TOLERANCING PER:	CHECKED		
		MATERIAL	ENG APPR.		
		FINISH	MFG APPR.		
NEXT ASSY	USED ON		Q.A.		
APPLICATION		DO NOT SCALE DRAWING	COMMENTS:		
					TITLE:
					Sealant placement locations for SDNS Type Seal
			SIZE	DWG. NO.	REV
			<b>A</b>	<b>Fig 1-A</b>	
			SCALE: 1:2	WEIGHT:	SHEET 1 OF 1